

Short description



- Stainless steel IP67 single point load cell
- Bending beam
Suitable for weighing equipment like platform and belt scales
- Maximum platform size: 400 x 400 mm



test certificate no. TC8009 Revision 0
C of C no R60/2000-NL1-10.27
R60/2000-DE1-10.04

Available models

Capacity	Accuracy	Full article description
8kg	C3/C4	B6N-C3/C4-8kg-1B6
10kg	C3/C4	B6N-C3/C4-10kg-1B6
15kg	C3/C4	B6N-C3/C4-15kg-1B6
20kg	C3/C4	B6N-C3/C4-20kg-1B6
30kg	C3/C4	B6N-C3/C4-30kg-1B6
50kg	C3	B6N-C3-50kg-1B6
75kg	C3	B6N-C3-75kg-1B6
100kg	C3	B6N-C3-100kg-1B6
150kg	C3	B6N-C3-150kg-1B6
200kg	C3	B6N-C3-200kg-1B6

ADN Pesage 7 RUE DU BOIS MALHAIS 78640 Saint germain de la grange – France
Tel. +33 (0)1 48 63 00 76 Fax +33 (0)1 48 63 72 06
www.adnpesage.fr contact@adnpesage.fr

Technical specifications B6N

Accuracy class		OIML R60 C3		OIML R60 C4
		2.0 ± 0.002		
Output sensitivity (= FS)	mV/V	2.0 ± 0.002		
Maximum capacity (E _{max})	kg	8, 10, 15, 20, 30	50, 75, 100, 150, 200	8, 10, 15, 20, 30
Max. number of load cell intervals	n _{LC}	3000		4000
Ratio of min. LC verification interval	Y = E _{max} / V _{min}	10000	9000	15000
Combined Error	%FS	≤± 0.0230		≤± 0.0175
Minimum dead load	Of E _{max}	0%		
Safe overload	of E _{max}	150 %		
Ultimate overload	of E _{max}	300 %		
Zero balance	of FS	< ± 1.0 %		
Excitation, recommended voltage	V	5 ~ 12		
Excitation maximum	V	18		
Input resistance	Ω	430 ± 60		
Output resistance	Ω	351 ± 2		
Insulation resistance	MΩ	≥5000 (at 50VDC)		
Compensated temperature	°C	-10 ~ +40		
Operating temperature	°C	-35 ~ +65		
Storage temperature	°C	-40 ~ +70		
Element material		Stainless steel		
Ingress Protection (acc. to EN 60529)		IP67		
Recommended torque on fixation	Nm	M6: 10		
ATEX classification (optional)		II1G Ex ia II1C T4	II1D Ex iaD 20 T73°C	II3G nL IIC T4

Wiring

Features:

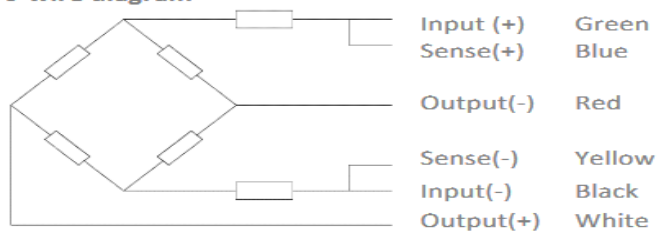
Shielded, 6 conductor cable.

Cable diameter: Ø5mm

Standard cable length: 1m

Shield not connected to element

6-wire diagram

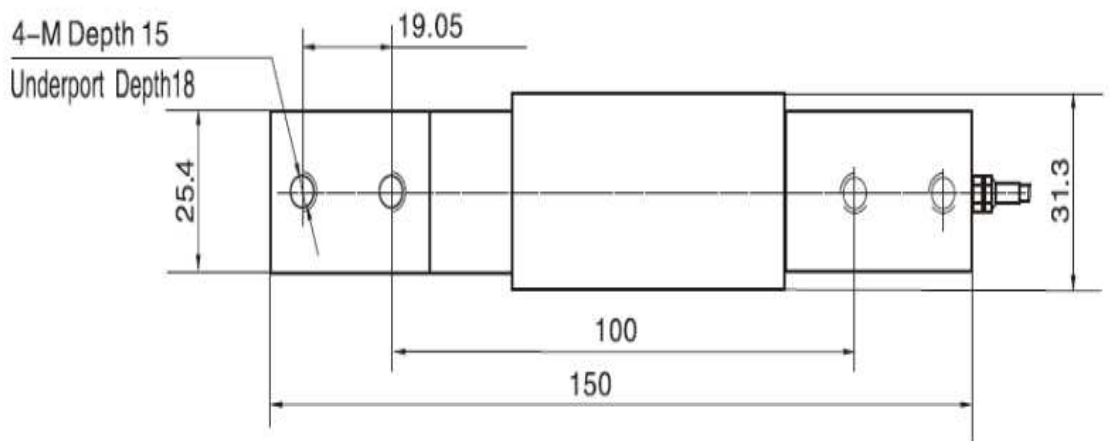
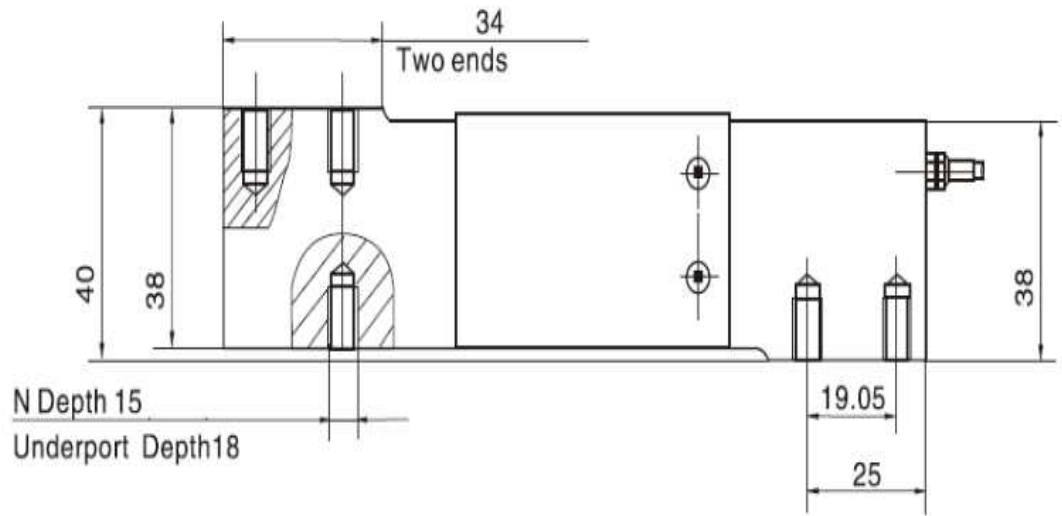


ADN Pesage 7 RUE DU BOIS MALHAIS 78640 Saint germain de la grange – France

Tel. +33 (0)1 48 63 00 76 Fax +33 (0)1 48 63 72 06

www.adnpesage.fr contact@adnpesage.fr

Dimensions in mm



Dimension	M	N
Capacity	M6	M6
8 – 200kg	M6	M6